

# TMC Series (Sizing Cutter)

---



Cutting

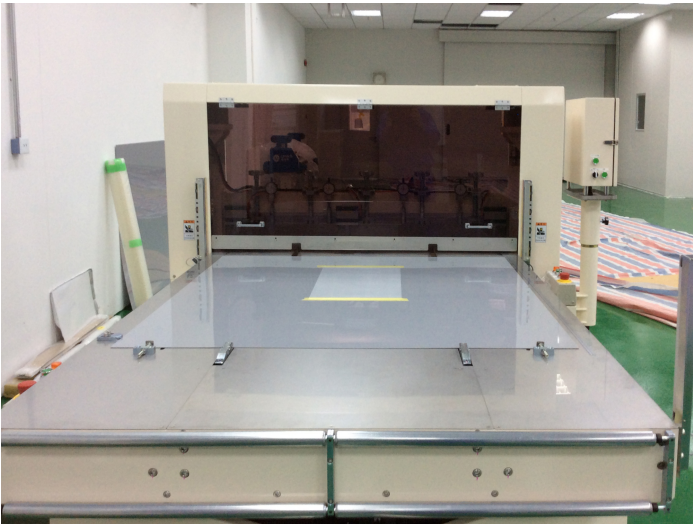
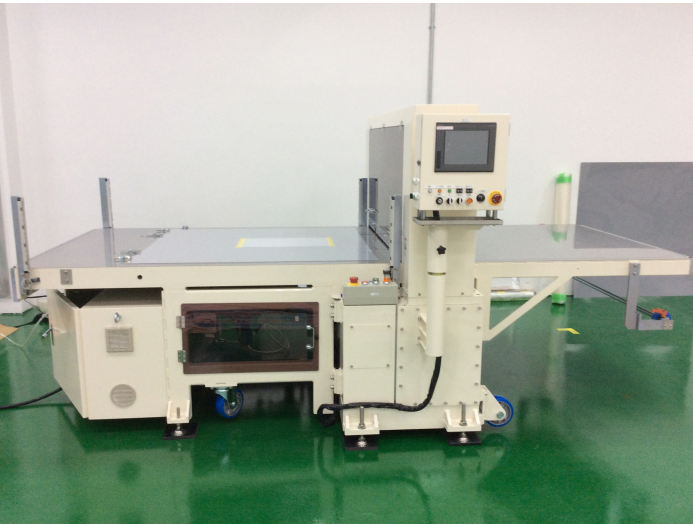


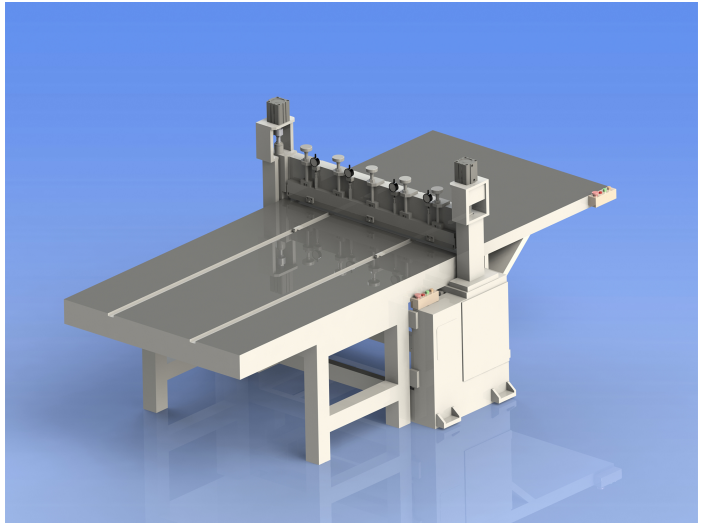
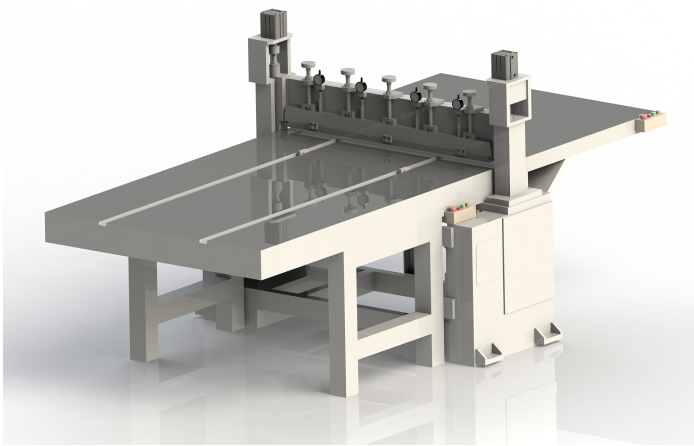
Highly-functional Film



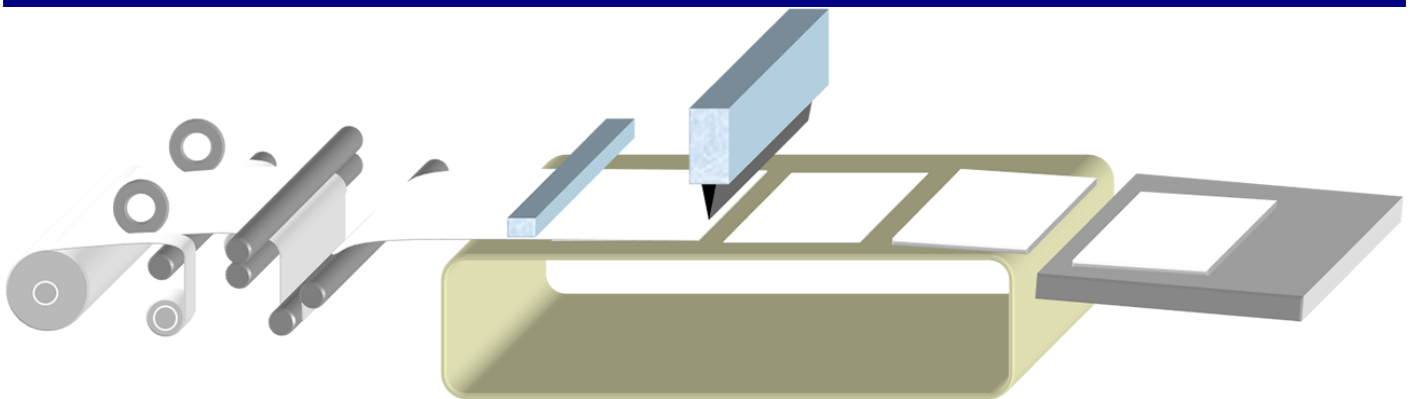
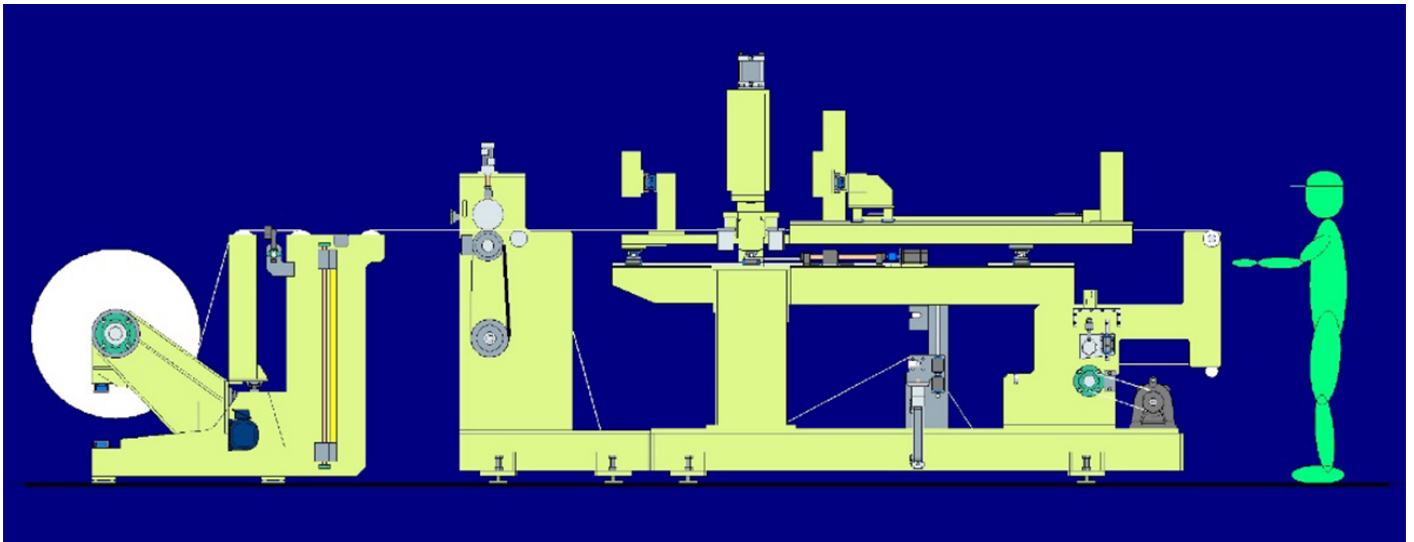
Rubber/Packing

## Product Image





## Example System



## Main Specifications



## Main Specifications

<b>Cutting Width</b>	400 – 2200mm * We will manufacture the machine according to the customer's desired size.
<b>Cutting Force</b>	19.6kN (2t)+
<b>Stroke</b>	30mm
<b>Feed Mechanism 1</b>	PET Film Endless System
<b>Feed Mechanism 2</b>	Single-board Feeding by Linear Motor
<b>Alignment (Positioning) Unit</b>	MD Direction and $\theta$ Direction Correction

## Features

- Can be combined with various systems such as roll to sheet, sheet to chip, etc.
- Servo drive and inverter drive can be selected.

## Options

- Sheet Feeding Roller
- Post-cutting Product-moving Device
- Plate Rotating Device
- CCD Camera Alignment Device
- Inline Support Available for User's Facilities

# Inquiries

Since we can also make appointments for meetings upon request, please feel free to contact us.



**0879-25-4125**